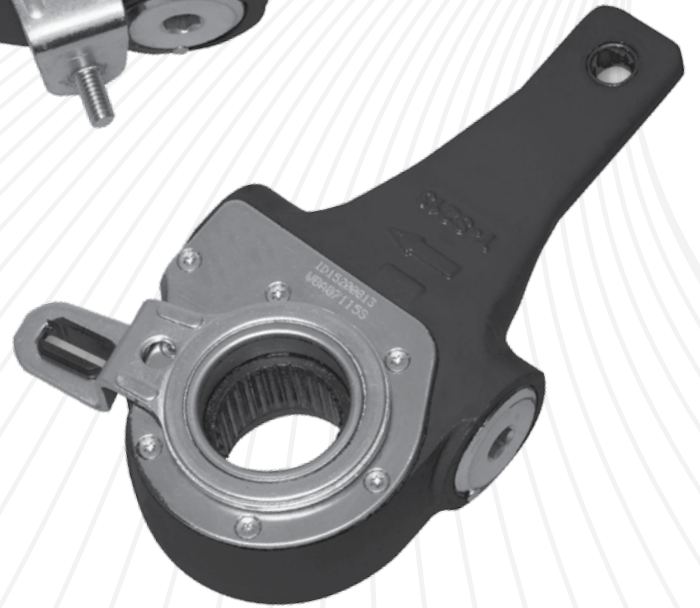
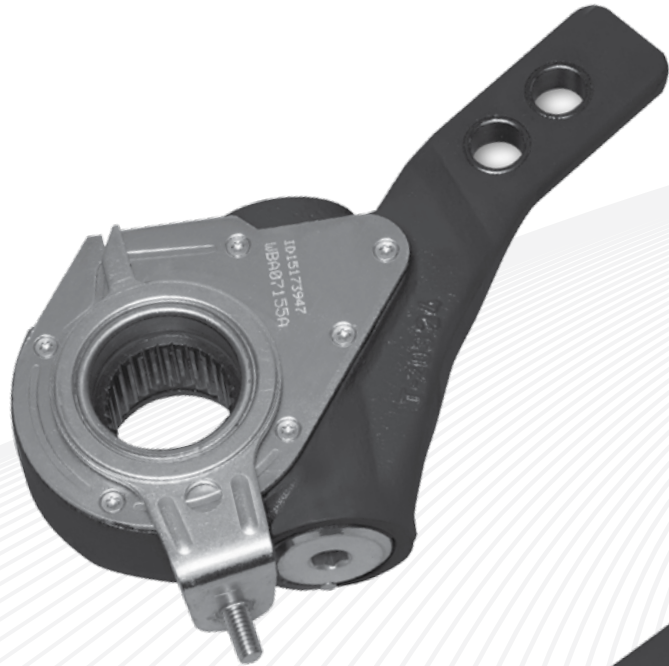




Heavy Duty • High Reliability Automatic Brake Adjusters





COUNT ON TSE

TSE Brake Adjusters

There is a new name in the world of heavy duty automatic brake adjusters... TSE. Now offering a complete line of automatic slack adjusters utilizing the proven clearance sensing design and self-setting adjusters featuring a patent protected design, TSE Brake Adjusters delivers world class quality and service you can count on. The TSE family of premium, automatic slack adjusters are available in a wide range of models to address line haul tractor and trailer, severe duty, transit and motor coach applications for both the OEM and aftermarket.

TSE Brake Adjusters brings the same commitment to customer satisfaction that you've come to expect from the TSE name. As a part of Marmon Highway Technologies®/Berkshire Hathaway, TSE has the resources necessary to ensure both reliable product performance and the continuous improvement their OEM and fleet customers demand.

Heavy Duty • High Reliability Automatic Brake Adjusters

TSE premium brake adjusters incorporate the proven clearance sensing design that continuously and automatically adjusts to compensate for both lining and drum wear. TSE adjusters feature a unique clutch and worm wheel design that provides the finest adjustment in the industry, thereby optimizing braking performance and component life.

All TSE brake adjusters are built to deliver reliable operation under even the most demanding conditions. These adjusters have a strengthened housing to reduce wear and corrosion, a worm shaft that receives extensive processing for increased fatigue strength, and dependable O-rings and gaskets to keep out moisture and contaminants for a longer service life.

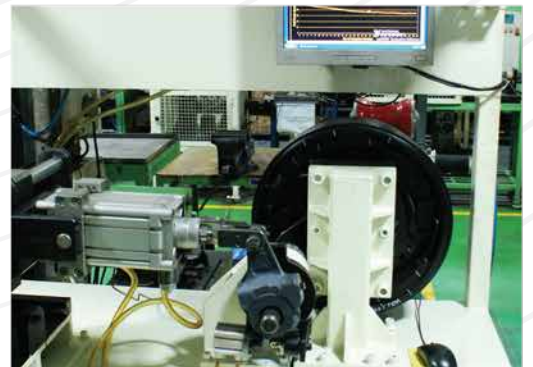
Extensive Testing – Proven Results

TSE brake adjusters are manufactured to the highest quality standards in a TS16949 certified factory. To ensure performance and life, extensive metallurgical testing is conducted ranging from chemical and physical tests on incoming raw materials and components, to stress analysis of the adjuster body. TSE adjusters far exceed the requirements of SAE J1462 and undergo extensive in-house testing to ensure the longest possible duty cycle. With millions of slack adjusters sold globally over the past 15 years, TSE adjusters are a proven solution for both OEM and replacement markets. TSE brake adjusters are backed with up to a 7 year, 1 million mile warranty.

PRODUCTION



LIFE CYCLE TESTING



PROVEN CLEARANCE SENSING DESIGN

WORM SHAFT

Cold rolled steel, processed for maximum fatigue life.

HOUSING

High grade SG Iron, processed and painted for superior strength and corrosion protection.

EASILY ACCESSIBLE HEXNUT

Use the annual 13ft/lbs torque test to predict service life.

SEALING

Top grade O-rings and gaskets protect against water ingress. Grease point and pressure relief valve optimizes lubrication for longer life.

INSTALLATION INDICATOR

Use the indicator to ensure correct installation.

CONTROL ARM

Available in all popular configurations for easy installation.

TSE ASA & S-ASA FEATURES

- Premium brake adjusters for OEM and aftermarket
- 5.5", 6", 6.5" and 7" arm length in straight or offset styles
- 10, 24, 28 and 37 spline configurations
- Proven clearance sensing design outperforms stroke sensing adjusters
- Extra fine adjustment for optimized lining and drum wear
- Easy to install, no templates required
- Industry leading warranty, up to 7 year, 1 million miles
- Extensive life cycle testing, easily passing SAE J1462
- TS16949 and ISO14001 certified factory
- State-of-the-art no fault forward assembly process
- Models for line haul tractor and trailer, severe duty, transit and motor coach applications



ASA
Automatic Slack Adjuster



S-ASA
Self-Setting Automatic Slack Adjuster

Designed for a Wide Range of Applications

TSE Brake Adjusters offers a complete heavy duty product line able to address any OE design or fleet application. We have standard automatic slack adjusters for over-the-road tractors and trailers, severe duty applications such as cement, refuse and logging, intracity transit buses and intercity motor coaches. Our patent protected self-setting automatic slack adjusters are designed for over-the-road tractors and trailers.



Adjuster Type	Application	Arm Length	Arm Type	Splines	Description	Warranty
Self Setting S-ASA	Line Haul Truck or Trailer	5.5", 6.0", 6.5", & 7"	Straight or Offset	10, 24, 28 & 37	On-highway use for all truck & trailer applications, both steer and drive axles. Preferred by OEM's	7 years from date of manufacture or 1,000,000 miles
ASA Auto Slack	Line Haul Truck or Trailer	5.5", 6.0", 6.5", & 7"	Straight or Offset	10, 24, 28 & 37	On-highway use for all truck & trailer applications. Used primarily in the AFM	5 years from date of manufacture or 500,000 miles
ASA Auto Slack	Severe Duty	5.5", 6.0", 6.5", & 7"	Straight or Offset	10, 24, 28 & 37	Use in off-road, refuse & heavy haul applications	2 years from date of manufacture or 100,000 miles
ASA Auto Slack	City Transit	5.5", 6.0", 6.5", & 7"	Straight or Offset	10, 24, 28 & 37	For use in intracity transit applications	1 year from date of manufacture or 100,000 miles
ASA Auto Slack	Intercity Transit	5.5", 6.0", 6.5", & 7"	Straight or Offset	10, 24, 28 & 37	For use in intercity transit applications	2 years from date of manufacture or 200,000 miles



TSE Brakes, Inc.
 714 Industrial Drive S.W.
 Cullman, Alabama 35055
 256-841-0695
www.TSEbrakes.com